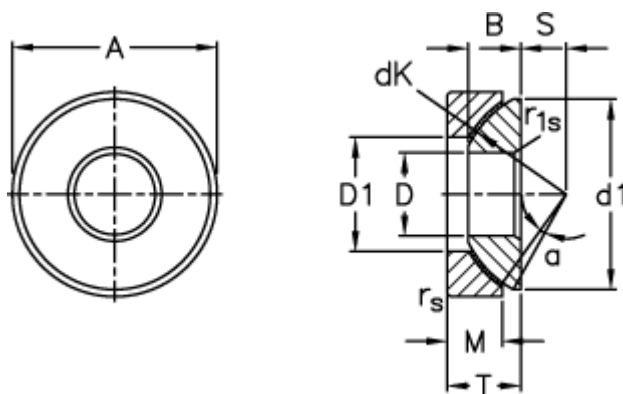


Article number: 03512020

Description: Fluro Rod end GE 20AW

Measures



| | | | |
|---------------------------|---------------|---------------------------|------------------|
| A | = 55 0 -0,013 | rs, r1s min | = 1 |
| B | = 14.5 | S | = 12.5 |
| D | = 20 0 -0,010 | Static axial load C0 (kN) | = 300 |
| d1 max | = 50 | T | = 20 +0,25 -0,40 |
| D1 min | = 31 | Tilt angle | = 5 |
| dK | = 60 | Weight | = 246 |
| Dynamic axial load C (kN) | = 150 | | |
| M | = 13.8 | | |